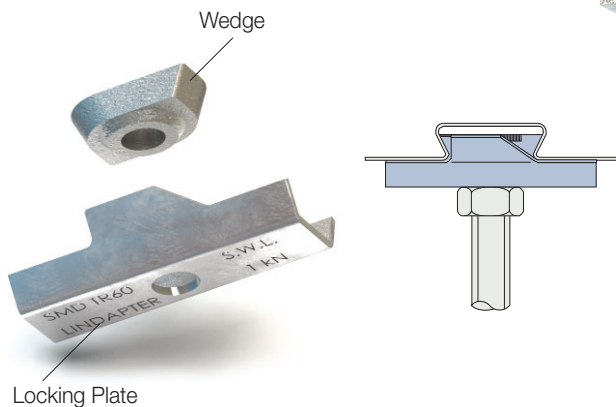


Type TR60

Locking Plate: Pre-galvanised strip
Wedge: Malleable iron, bright zinc plated

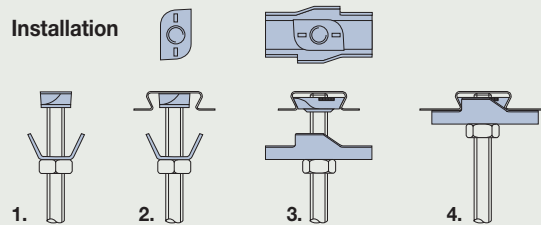


The TR60 is designed for TR60 and 80 profiles manufactured by Structural Metal Decks (see page 52).

Product Code	Rod	Safe Working Load (3:1 Factor of Safety)	
		Tensile / 1 Rod	Torque
TR6006	M6	1.0 kN	10 Nm
TR6008	M8	1.0 kN	10 Nm
TR6010	M10	1.0 kN	10 Nm

Order example: TR6006

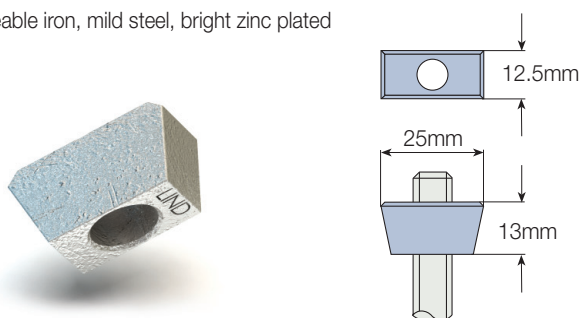
Installation



1. Pre-assemble the wedge and locking plate onto the threaded rod (flat surface uppermost).
2. Insert wedge into the re-entrant channel of the decking and rotate until the chamfered cams engage on the sides of the channel.
3. Slide the plate up the threaded rod and over the wedge to lock it into position in the channel.
4. Tighten the locknut beneath the plate to hold the assembly in position.

Type VN - V-Nut

Malleable iron, mild steel, bright zinc plated

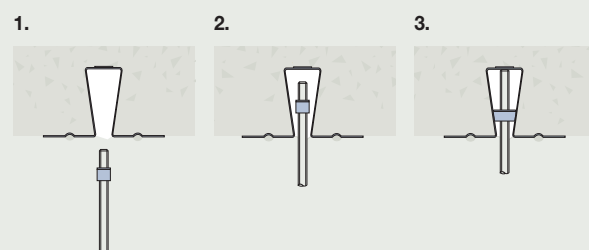


The V-Nut fits the re-entrant channel of several composite floor deckings (see page 52).

Product Code	Rod	Safe Working Load (4:1 Factor of Safety)	
		Tensile / 1 Rod	Torque
VN06	M6	1.8 kN	10 Nm
VN08	M8	2.0 kN	10 Nm
VN10	M10	2.1 kN	10 Nm

Order example: VN06

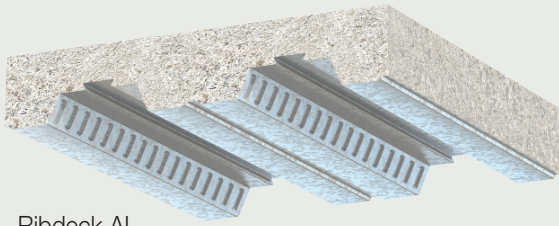
Installation



1. Screw VN onto threaded rod.
2. Insert VN and rod into re-entrant channel of decking.
3. Rotate both rod and VN through 90° so that tapered sides engage the sides of the channel.

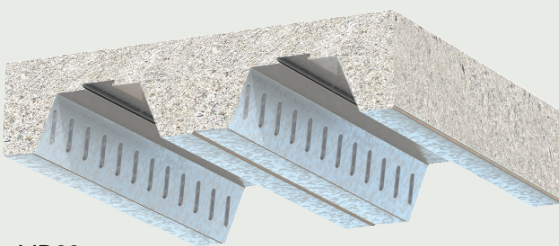
Deckings

Richard Lees Steel Decking



- Ribdeck AL
- Ribdeck E60
- Ribdeck 80

Kingspan Structural Products



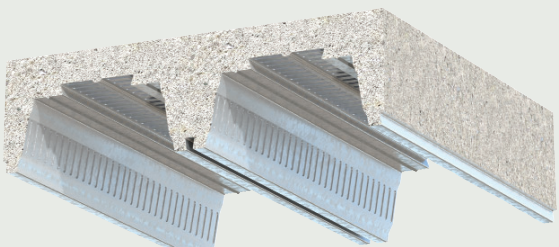
- MD60
- MD80

Structural Metal Decks



- TR60
- TR80

Corus Panels & Profiles



- CF225

Structural Metal Decks

- R51

Corus Panel & Profiles

- CF51

Richard Lees Steel Decking

- Holorib

Kingspan Structural Products

- MD50

Lindapter Decking Fixings

Type AW



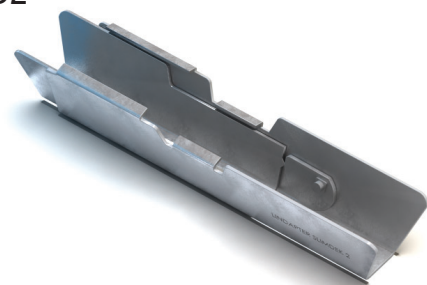
Type MW2



Type TR60



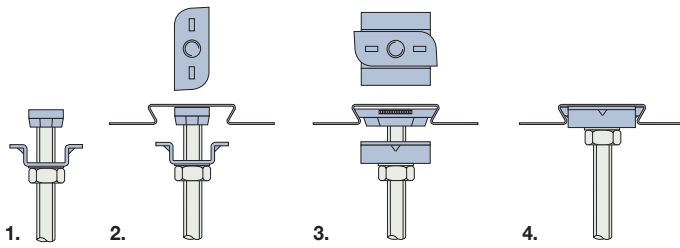
Type SD2



Type VN

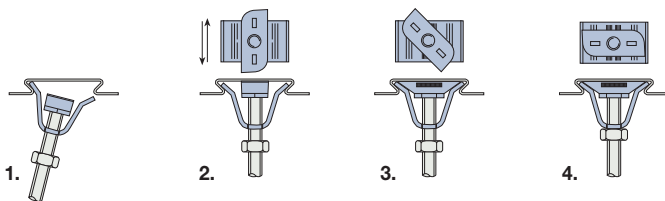


Installation



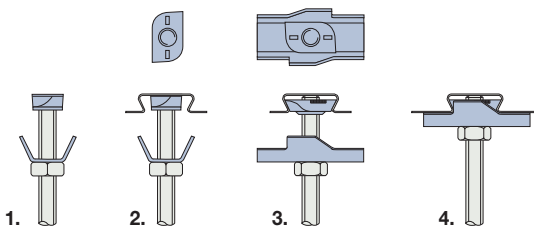
Type AW - Alphawedge

1. Pre-assemble the Alphawedge and locking plate onto the threaded rod (flat surface uppermost).
2. Insert wedge into the re-entrant channel of the decking, rotate 90°.
3. Slide plate up the threaded rod, over the wedge, to lock it in position into the channel.
4. Tighten the locknut beneath the plate to hold the assembly in position.



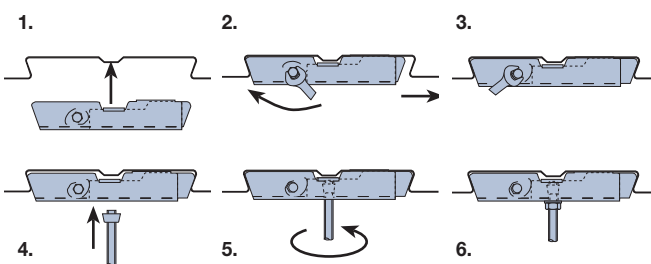
Type MW2 - Multiwedge 2

1. Position Multi-nut and bracket on threaded rod (flat surface uppermost) and insert one leg of bracket into re-entrant channel of decking. Snap other leg of bracket into channel.
2. Slide assembly to desired position along length of re-entrant channel.
3. Push and turn the multi-nut clockwise until it locks into the channel walls.
4. Tighten the hexagon nut beneath the assembly.



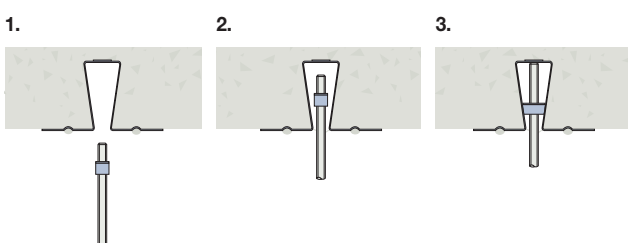
Type TR60

1. Pre-assemble the wedge and locking plate onto the threaded rod (flat surface uppermost).
2. Insert wedge into the re-entrant channel of the decking and rotate until the chamfered cams engage on the sides of the channel.
3. Slide the plate up the threaded rod and over the wedge to lock it into position in the channel.
4. Tighten the locknut beneath the plate to hold the assembly in position.



Type SD2 - Slimdek 2

1. With Slimdek 2 in it's retracted position (as supplied) locate the fixing in the re-entrant channel.
2. Hold Slimdek 2 in position with one hand, then rotate cam into the direction shown above with a spanner.
3. Rotate the nut until the inner body of the fixing locates against the re-entrant channel, and the nut feels tight.
4. Offer the V-Nut on a threaded rod up to the main body.
5. Rotate V-Nut through 90° to allow it to sit at the bottom of the SD 2 body.
6. Secure the assembly with a nut.



Type VN - V-Nut

1. Screw VN onto threaded rod.
2. Insert VN and rod into re-entrant channel of decking.
3. Rotate both rod and VN through 90° so that tapered sides engage the sides of the channel.